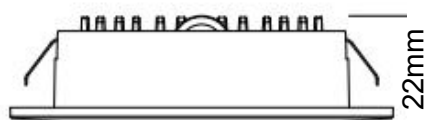
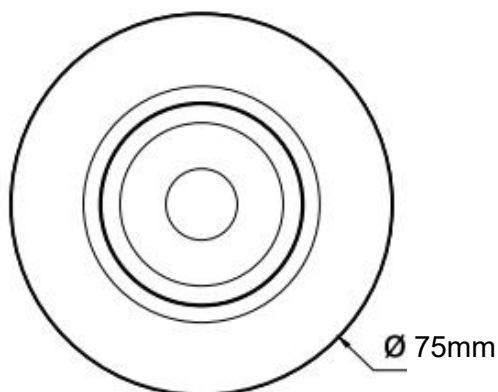




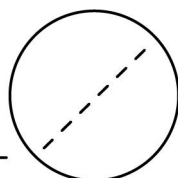
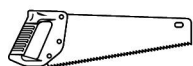
## TECHNICAL DATA

Voltage	220~240V
Wattage	4W LED
Chip	COB
Lumen	>300lm
Beam Angle	40°
CRI	Ra≥93(Ra≥80 available)
Colour Temperature	2700K/3000K/4000K/5000K
Driver	External driver
Power Factor	PF≥0.9
Dimmable	10%~100%
IP Rating	IP44
Life Span	40,000 Hours
Guarantee	5 years

## INSTALLATION



Cut out: Ø61mm



IP20 ← Recessed parts of luminaires



IP44 ← Exposed parts of luminaires

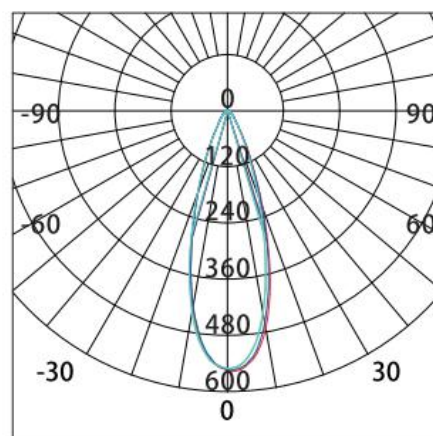
## DIMENSION

Diameter	Ø75mm
Height	22mm
Cut Out	Ø61mm

## COMPONENT

Material	Die-cast aluminum
Colour	Matt White/Chrome/Brushed Nickel/White

## IES CURVE



2X4W 40° 3000K